

Canadian Classic

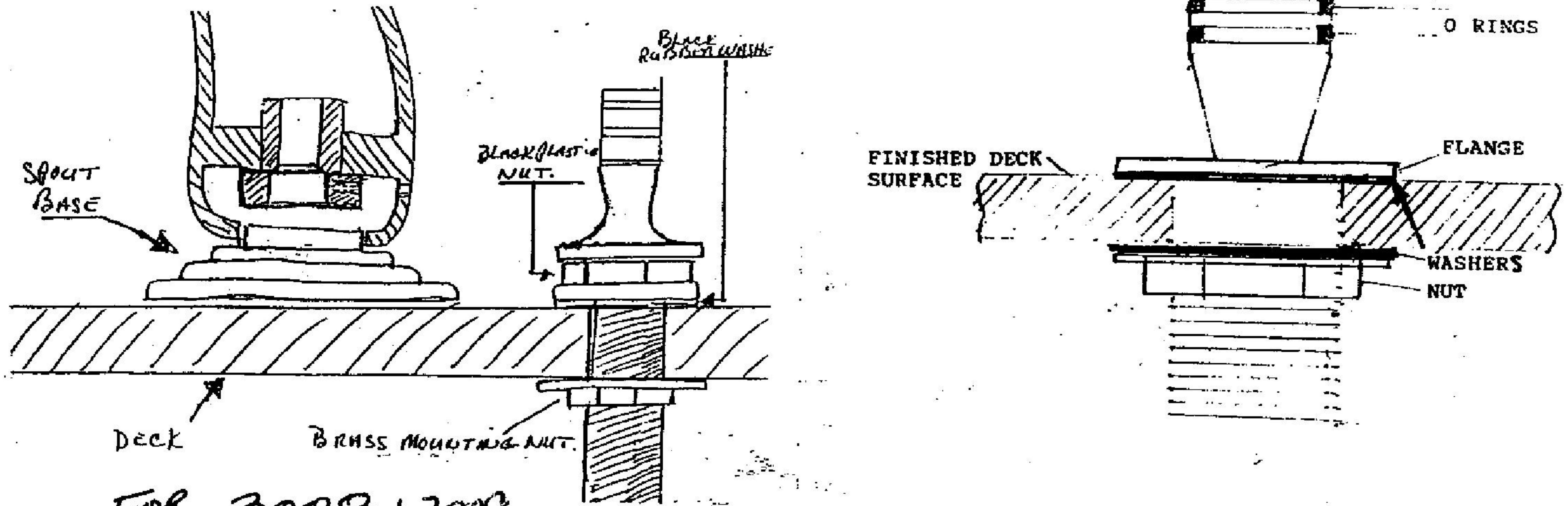
INSTALLATION
INSTRUCTIONS:

ROMAN TUB (DECK) SETS

INSTALLER WARNING: DO NOT USE PLUMBERS' PUTTY WHEN INSTALLING THIS UCET. USING PLUMBERS' PUTTY WILL VOID THE HOMEOWNER'S FINISH WARRANTY!!

NOTE: hoses are not supplied with this product! Due to the variety of installation options available to the plumber according to the wishes of the homeowner, we have found it to be more practical to allow the plumber to provide his/her own fittings, hoses and/or pipe/tubing. All connections are 3/4" except handshowers which are 1/2". If sweating fittings or tubing, it is recommended that the cartridges be removed from the valve bodies.

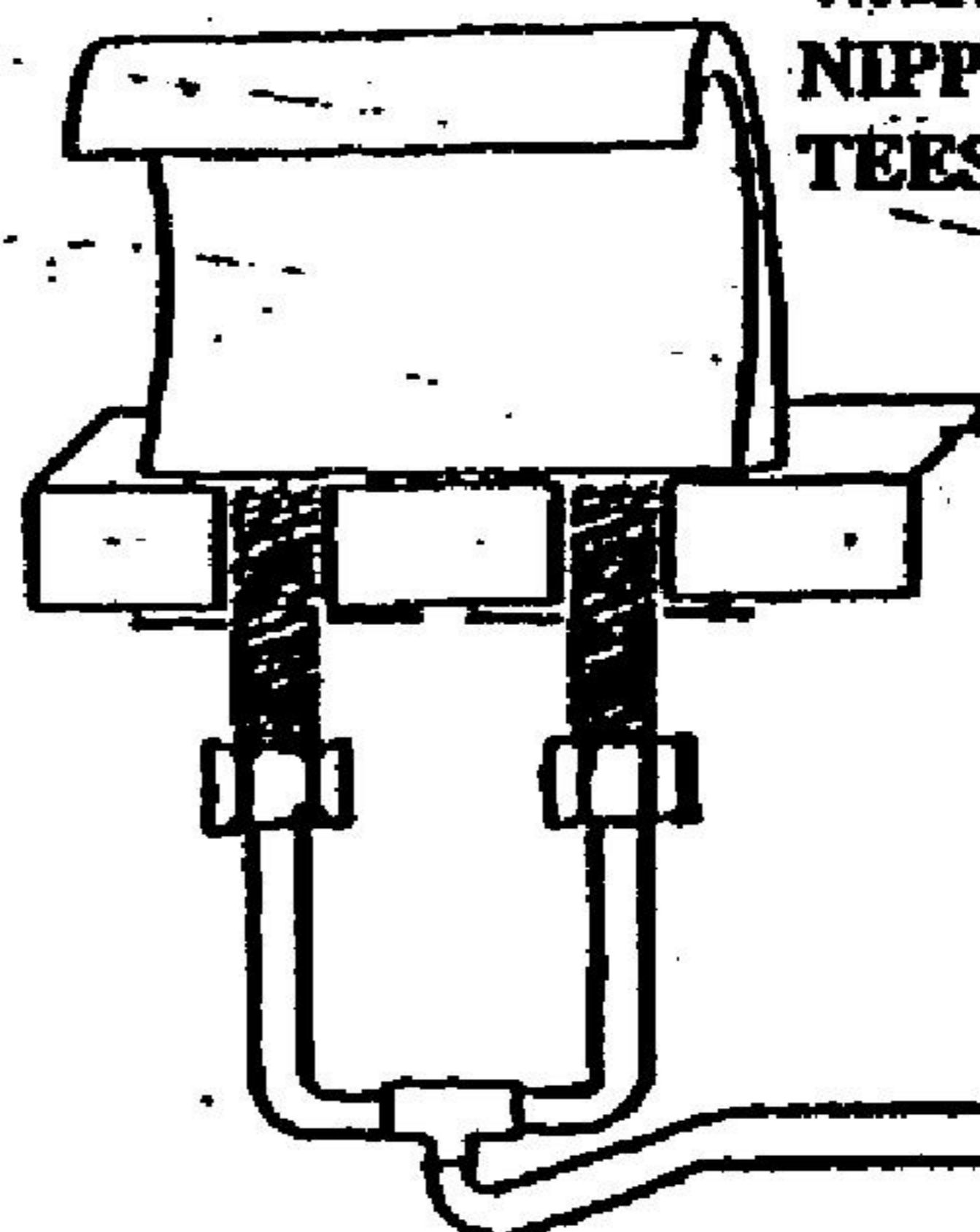
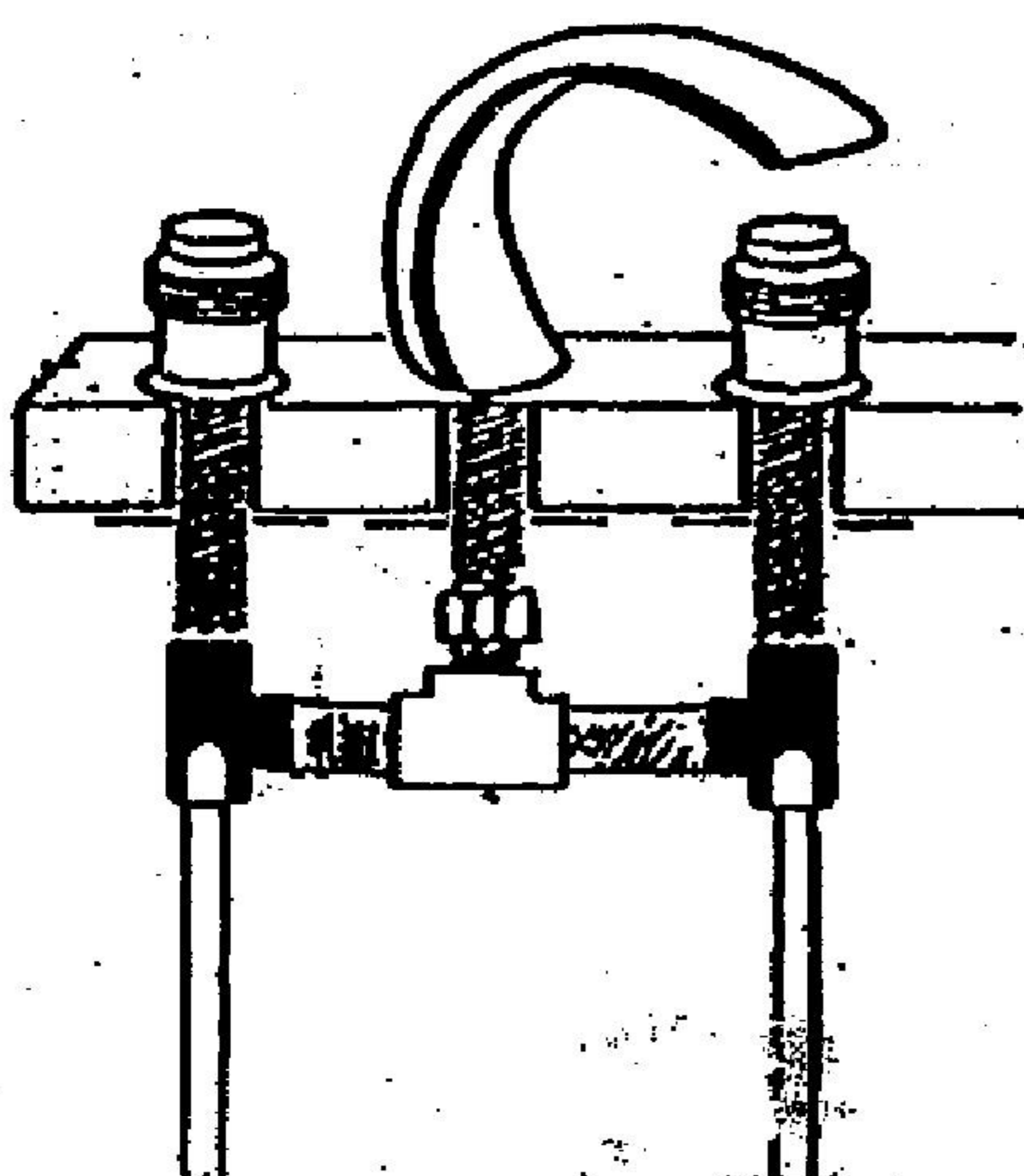
FLANGE ON QUICK-CONNECT SPOUT NIPPLE MUST SIT FLUSH AND PLUMB ON TOP OF FINISHED DECK SURFACE.



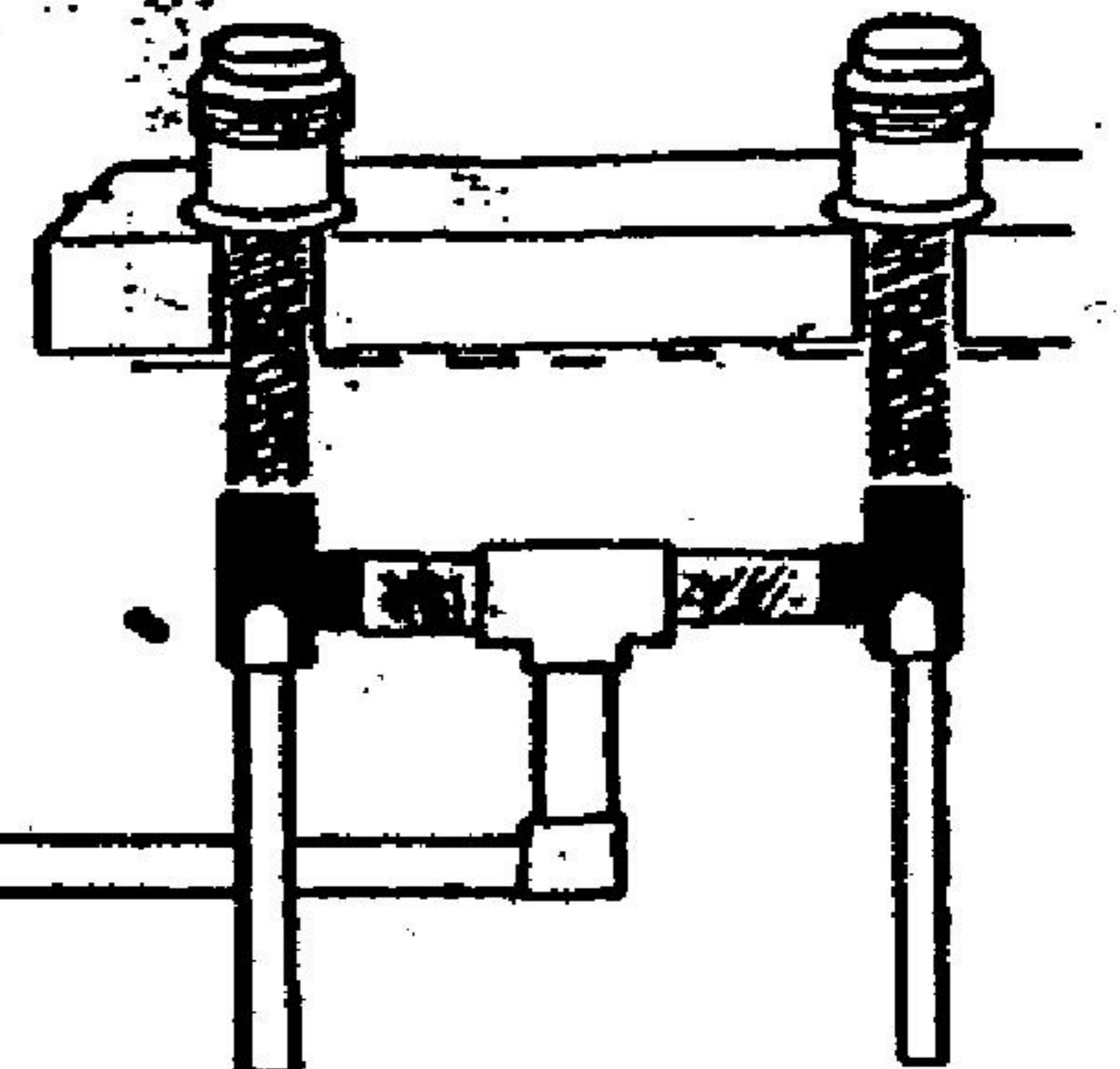
FOR 3008+3009
SPTS ONLY

SPOUT INSTALLATION USING QUOCK CONNECT

- REMOVE BOTTOM NUT & WASHER
- INSTALL QUICK CONNECT NIPPLE ONTO FINISHED DECK
- REINSTALL RUBBER WASHER & TIGHTEN WITH NUT
- GREASE QUICK CONNECT NIPPLE WITH LUBRICANT
- SEAT SPOUT ONTO NIPPLE & TIGHTEN SET SCREW AT BASE OF SPOUT



DO NOT CONNECT THE HOT AND COLD WATER OUTLETS DIRECTLY TO DOUBLE NIPPLES OF THE SPOUT. ALWAYS USE TEES.



5-2

TYPICAL 2-VALVE INSTALLATIONS